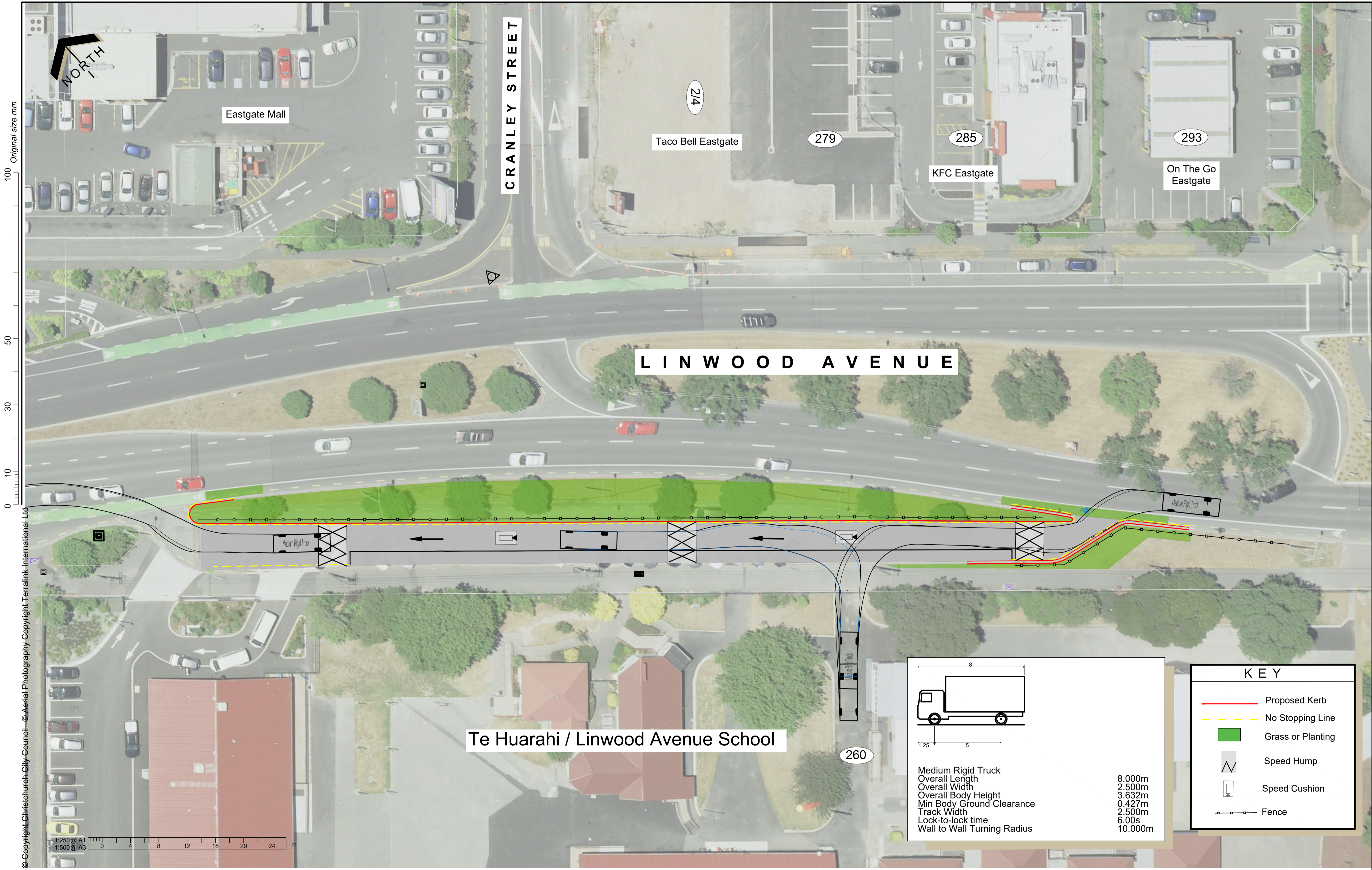
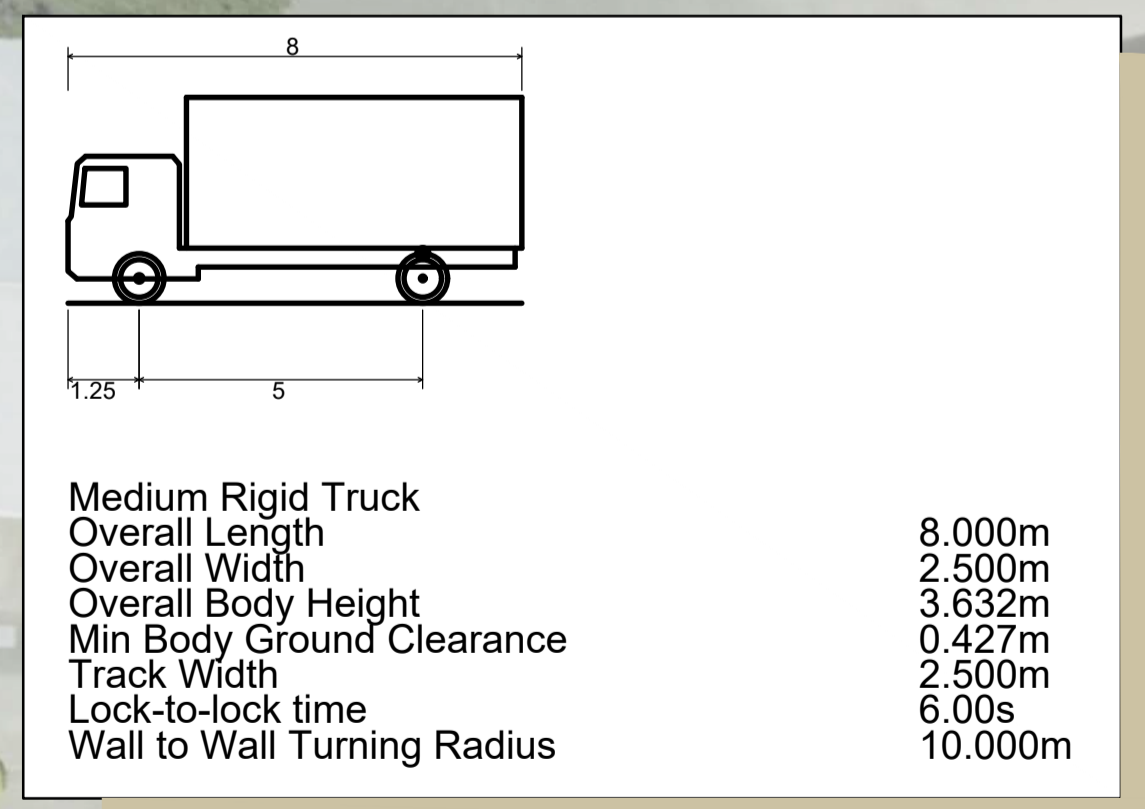


© Copyright Christchurch City Council. © Aerial Photography Copyright Terralink International Ltd



© Copyright Christchurch City Council - Aerial Photography Copyright Terralink International Ltd





KEY	
	Proposed Kerb
	No Stopping Line
	Grass or Planting
	Speed Hump
	Speed Cushion
	Fence



100 Original size mm
50
30
10
0

© Copyright Christchurch City Council. © Aerial Photography Copyright Terralink International Ltd

1:250 @ A1
1:500 @ A3

KEY	
	Proposed Kerb
	Grass or Planting



LINWOOD AVENUE SCHOOL
U-Turn Closure
Consultation Layout Plan

Original Plan Size: A3
ISSUE. 1 07/06/2023
TP362001 D.V CP504017

Sheet 3